

# 2" Non-Metallic Models

## EXP SERIES PUMPS

ARO® EXP 2" non-metallic pumps achieve flow rates of up to 184 GPM (696.4 LPM) and offer a wide array of material and porting configurations. 2" non-metallic pumps are often used for transfer, filling, recirculation and batching in Chemical, Industrial and Water/Wastewater treatment markets.

**UPGRADE**  
PUMP FOR REMOTE  
ACTUATION CAPABILITY

Ratio:	1:1
Maximum GPM (LPM):	184 (696)
Displacement per cycle Gallons (Liters):	1.4 (5.3)
Air Inlet (Female):	3/4 - 14 N.P.T.
Fluid Inlet/Outlet:	2" A.N.S.I./DIN flange (side)
Max. operating pressure psi (bar):	120 (8.3)
Suspended solids max. dia. in. (mm):	1/4" (6.4)
Weight lbs (kg):	Polypropylene 85.3 (38.7) PVDF 110.9 (50.3)
Maximum dry suction lift ft (m):	14 (4.2)
Sound Level:	70 PSI 60 Cycles/Min 85.0 db(A)
Muffler Included:	93139



### Ordering

Position	1	2		3	4	5		6	7	8		9	10	11
<b>Example:</b>	<b>PX20</b>	<b>X</b>	<b>-</b>	<b>F</b>	<b>X</b>	<b>S</b>	<b>-</b>	<b>X</b>	<b>X</b>	<b>X</b>	<b>-</b>	<b>B</b>	<b>X</b>	<b>X</b>

Position 1 Model Series	Position 2 Center Section	Position 3 Connections	Position 4 Wetted Parts	Position 5 Hardware	Position 6 Seat Material	Position 7 Ball Material	Position 8 Diaphragm Material	Position 9
PD20 - Standard Pump PE20 - Electronic Interface Accessible Pump	E - Conductive Polypropylene P - Polypropylene	F - 2" A.N.S.I./DIN Flange (Side)	E - Conductive Polypropylene* K - PVDF N - Conductive PVDF* P - Polypropylene	S - SS	K - PVDF P - Polypropylene	A - Santoprene® C - Hytrel® G - Nitrile T - PTFE V - Viton®	A - Santoprene® C - Hytrel® G - Buna- N L - Long-Life PTFE M - Medical Grade Santoprene® T - PTFE/Santoprene® V - Viton®	Revision Level <b>Position 10 &amp; 11 Specialty Code</b> Fluid control options for pump with electronic interface (PE20 model). See complete description on page 25

\* Acceptable for use in hazardous locations. - NEC / CEC: Class I&II, Div 1&2, Group A-D  
- ATEX: Zone 1&2, 21&22

Hytrel® and Viton® are registered trademarks of the DuPont company. Santoprene® is a registered trademark of Monsanto Company, licensed to Advanced Elastomer Systems, L.P.

### Accessories

**Air Line Connection Kit | 66109**

(Piggyback Filter/Regulator with gauge, pipe nipple and 5-foot air hose)

**Diaphragm Failure Detection | Kit No.67237**

**Cycle Counter Kit | 66350**

**Cycle Sensor Kit | 67350-1**(PE20X pump model is required)

**Service Repair Kits | 637369** (air motor for PX20P), 637373-XXX (fluid section with seats), 637374-X (major air valve assembly)

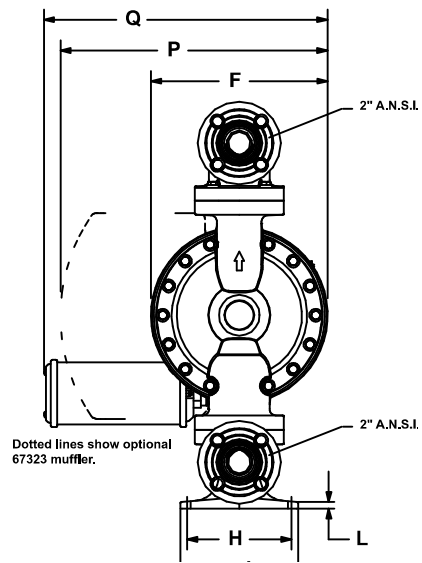
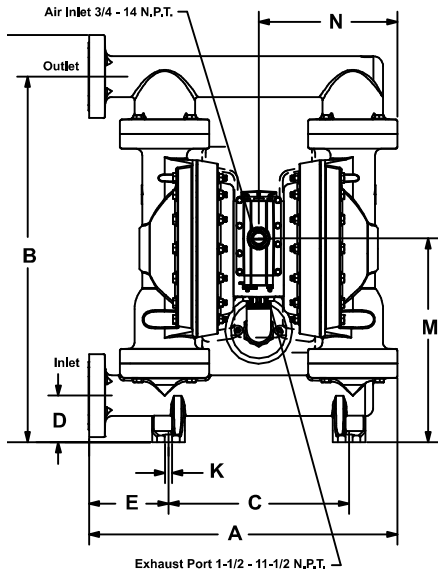
**Continuous-Duty Muffler | 67323** Recommended for continuous-duty and high-flow applications. Muffler features large expansion chamber, permitting cold exhaust air to exit pump

**Flange Connection Kit | 67341-E20N**

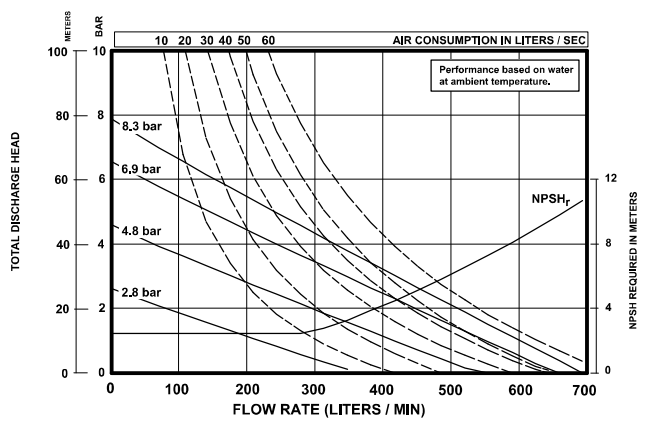
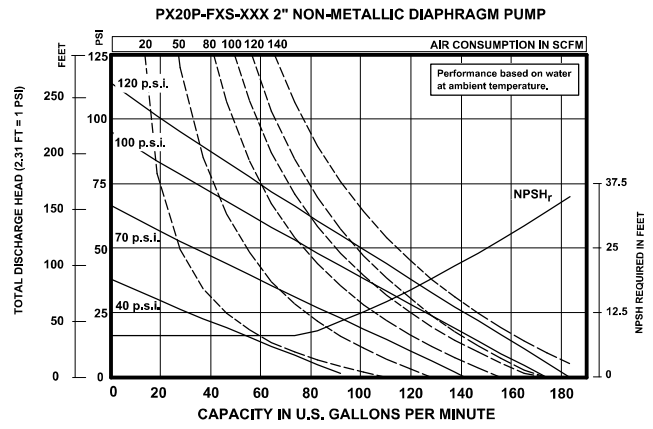


67323  
Continuous Duty  
Muffler

## 2" Non-Metallic Dimensions and Flow Charts



- A - 24-3/16" (614.3mm)
- B - 28-21/32" (728.0mm)
- C - 14-5/32" (360.0mm)
- D - 3-5/8" (92.2mm)
- E - 6-1/4" (158.3mm)
- F - 13-7/8" (352.0mm)
- G - 31-29/32" (810.5mm)
- H - 8-3/16" (207.8mm)
- J - 9-7/32" (234.2mm)
- K - 9/16" (14.3mm)
- L - 1/2" (12.7mm)
- M - 16" (405.9mm)
- N - 10-7/8" (276.2mm)
- P - 20-31/32" (532.2mm)
- Q - 22-9/32" (565.5mm)



Refer to [www.AROzone.com](http://www.AROzone.com) for full size flow curves.  
For additional information contact technical support at 1.800.495.0276

**Ordering Position 10**

**Specialty Code 1 (Blank if no Specialty Code)**

A - Solenoid 120VAC	G - Solenoid 12VDC ATEX/IECex*
B - Solenoid 12VDC	H - Solenoid 24VDC ATEX/IECex*
C - Solenoid 240VAC	J - 120VAC NEC/CEC*
D - Solenoid 24VDC	K - Solenoid 220VAC ATEX/IECex*
E - 12vDC NEC/CEC*	N - Solenoid with no coil
F - 24vDC NEC/CEC*	O - Standard Valve Block (No Solenoid)
	P - Ported Motor (No major valve provided)

**Ordering Position 11**

**Specialty Code 2 (Blank if no Specialty Code)**

E - End of stroke feedback + Leak Detection	L - Leak Detection
F - End of stroke feedback	M - Leak Detection ATEX/IECex/NEC/CEC*
G - End of Stroke ATEX/IECex*	O - No Option
H - End of Stroke/Leak Detection ATEX/IECex*	R - End of Stroke Feedback NEC / CEC*
	T - End of Stroke Feedback + Leak Detection NEC / CEC*

\* Acceptable for use in hazardous locations. - NEC / CEC: Class I&II, Div 1&2, Group A-D  
- ATEX: Zone 1&2, 21&22