

# 1-1/2" Non-Metallic Models

## EXP SERIES PUMPS

ARO® 1-1/2" non-metallic diaphragm pumps are frequently used in transfer, filling, recirculation and supply in chemical, industrial and water/wastewater treatment markets. Our 1-1/2" models achieve flow rates of up to 123.1 GPM (465.9 LPM) and also offer a diverse selection of material and porting configurations.

**UPGRADE**  
PUMP FOR REMOTE  
ACTUATION CAPABILITY

Ratio:	1:1		
Maximum GPM (LPM):	123 (465)		
Displacement per cycle Gallons (Liters):	0.617 (2.34)		
Air Inlet (Female):	1/2 - 14 N.P.T.		
Fluid Inlet/Outlet:	1-1/2" A.N.S.I./DIN flange (side or center)		
Max. operating pressure psi (bar):	120 (8.3)		
Suspended solids max. dia. in. (mm):	1/4" (6.4)		
Weight lbs (kg):	Polypropylene, Side Ported	42.6	(19.3)
	PVDF, Side Ported	63.9	(29)
	Polypropylene, Center Ported	42.3	(19.2)
	PVDF, Center Ported	55.9	(25.3)
Maximum dry suction lift ft (m) :	14 (4.2)		
Sound Level:	70 PSI	60 Cycles / Min	81.0 db(A)
Muffler Included:	93139		



### Ordering

Position	1	2		3	4	5		6	7	8		9	10	11
<b>Example:</b>	<b>PX15</b>	<b>X</b>	<b>-</b>	<b>X</b>	<b>X</b>	<b>S</b>	<b>-</b>	<b>X</b>	<b>X</b>	<b>X</b>	<b>-</b>	<b>A</b>	<b>X</b>	<b>X</b>

Position 1 Model Series	Position 2 Center Section	Position 3 Connections	Position 4 Wetted Parts	Position 5 Hardware	Position 6 Seat Material	Position 7 Ball Material	Position 8 Diaphragm Material	Position 9
PD15 - Standard Pump	E - Conductive Polypropylene	F - 1-1/2" A.N.S.I./DIN Flange (Side)	E - Conductive Polypropylene*	S - SS	H - 440 SS (Hard)	A - Santoprene®	A - Santoprene®	Revision Level
PE15 - Electronic Interface Accessible Pump	P - Polypropylene	Y - 1-1/2" A.N.S.I./DIN Flange (Center)	K - PVDF P - Polypropylene		K - PVDF P - Polypropylene S - 316 SS	C - Hytrel® G - Nitrile S - 316 SS T - PTFE V - Viton®	C - Hytrel® G - Buna-N L - Long-Life PTFE M - Medical Grade Santoprene® T - PTFE/Santoprene® V - Viton®	<b>Position 10 &amp; 11 Specialty Code</b> Fluid control options for pump with electronic interface (PE20 model). See complete description on page 23

\* Acceptable for use in hazardous locations. - NEC / CEC: Class I&II, Div 1&2, Group A-D  
- ATEX: Zone 1&2, 21&22

Hytrel® and Viton® are registered trademarks of the DuPont company. Santoprene® is a registered trademark of Monsanto Company, licensed to Advanced Elastomer Systems, L.P.

### Accessories

**Air Line Connection Kit | 66084-1**

(Piggyback Filter/Regulator with gauge, pipe nipple and 5-foot air hose)

**Diaphragm Failure Detection | 67237**

**Cycle Counter Kit | Cycle Counter Kit| 66350**

**Service Repair Kits | 637389 (air motor for PX15P), 637391-XXX (fluid section with seats), 637390-X (major air valve assembly)**

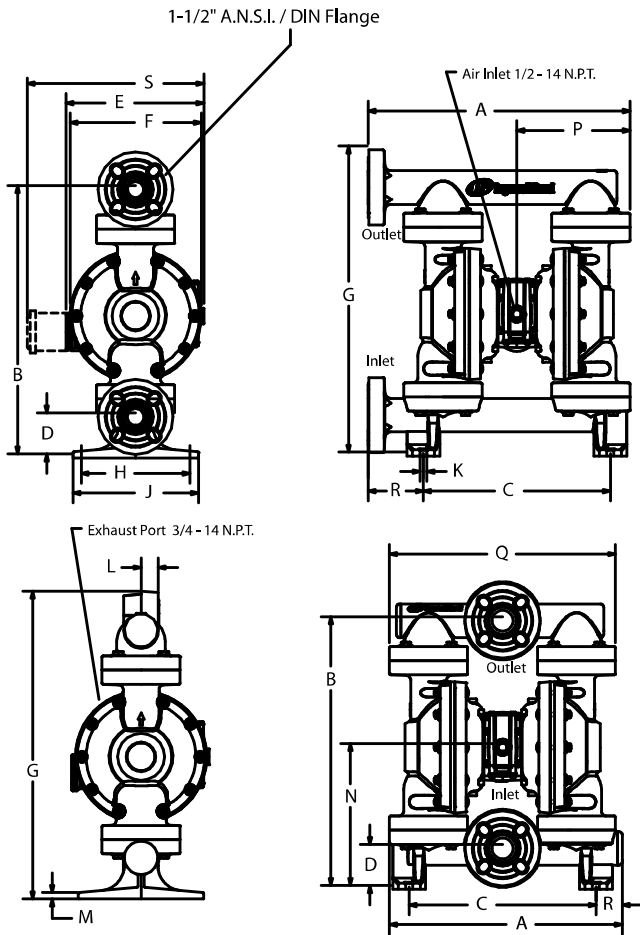
**Flange Connection Kit | 67341-E15N (side flange), 67341-C15N (center flange)**

Use with non-metallic EXP pumps with the flange manifold option



Flange Connection Kit

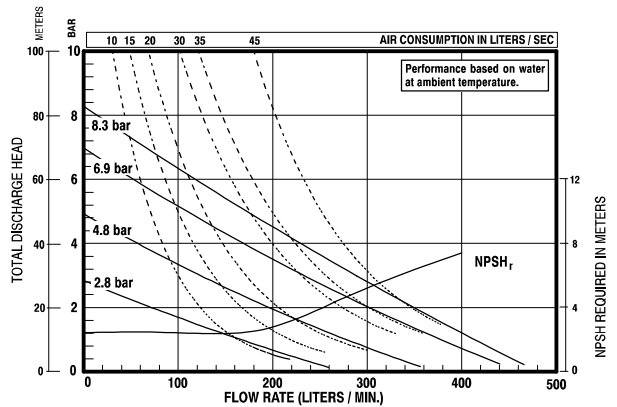
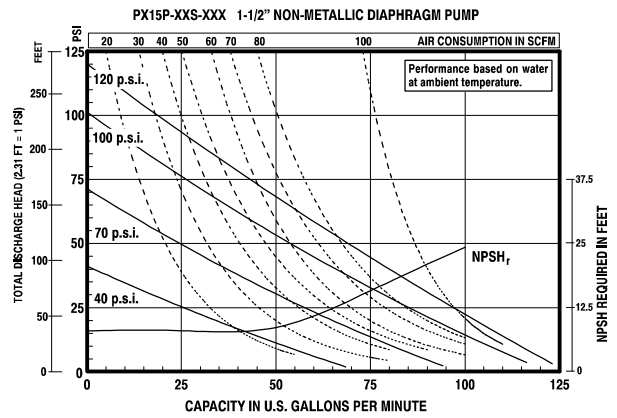
# 1-1/2" Non-Metallic Dimensions and Flow Charts



- A - see below
- B - 21-15/32" (543.3 mm)
- C - 14-15/16" (379.4 mm)
- D - 3-9/32" (83.3 mm)
- E - see below
- F - 10-1/2" (266.3 mm)
- G - see below
- H - 8-11/16" (220.7 mm)
- J - 10-1/32" (254.8 mm)
- K - 9/16" (14.3 mm)
- L - see below
- M - 17/32" (13.0 mm)
- N - 11-3/8" (288.4 mm)
- P - 9-1/32" (229.5 mm)
- Q - see below
- R - see below
- S - see below

- |  |  |
|--|--|
| PX15P- <u>EXS</u> -XXX<br>(End Flange) | PX15P- <u>XS</u> -XXX<br>(Center Flange) |
| A - 20-15/16" (531.6 mm)               | 18-19/32" (472.3 mm)                     |
| G - 24-15/32" (621.5 mm)               | 24-19/32" (624.5 mm)                     |
| L - -----                              | 1-3/8" (34.9 mm)                         |
| Q - -----                              | 18-3/32" (459.0 mm)                      |
| R - 4-7/16" (112.4 mm)                 | 2-3/32" (53.1 mm)                        |

- |                        |                |                    |
|------------------------|----------------|--------------------|
| PX15 <u>E</u> -XXX-XXX | "E"            | "S"                |
| PX15 <u>P</u> -XXX-XXX | 11" (279.5 mm) | 14-1/8" (358.5 mm) |



Refer to [www.AROzone.com](http://www.AROzone.com) for full size flow curves.  
For additional information contact technical support at 1.800.495.0276

## Ordering Position 10

### Specialty Code 1 (Blank if no Specialty Code)

- |                     |  |
|---------------------|--|
| A - Solenoid 120VAC | G - Solenoid 12VDC ATEX/IECex*             |
| B - Solenoid 12VDC  | H - Solenoid 24VDC ATEX/IECex*             |
| C - Solenoid 240VAC | J - 120VAC NEC/CEC*                        |
| D - Solenoid 24VDC  | K - Solenoid 220VAC ATEX/IECex*            |
| E - 12vDC NEC/CEC*  | N - Solenoid with no coil                  |
| F - 24vDC NEC/CEC*  | O - Standard Valve Block (No Solenoid)     |
|                     | P - Ported Motor (No major valve provided) |

## Ordering Position 11

### Specialty Code 2 (Blank if no Specialty Code)

- |  |  |
|--|--|
| E - End of stroke feedback + Leak Detection  | L - Leak Detection                                     |
| F - End of stroke feedback                   | M - Leak Detection ATEX/IECex/NEC/CEC*                 |
| G - End of Stroke ATEX/IECex*                | O - No Option  |
| H - End of Stroke/Leak Detection ATEX/IECex* | R - End of Stroke Feedback NEC / CEC*                  |
|  | T - End of Stroke Feedback + Leak Detection NEC / CEC* |

\* Acceptable for use in hazardous locations. - NEC / CEC: Class I&II, Div 1&2, Group A-D  
- ATEX: Zone 1&2, 21&22