

# 1/2" Non-Metallic Models

## COMPACT SERIES PUMPS

Part of our Compact Series of pumps, our 1/2" compact pumps feature big performance in a small package. They offer flow rates up to 14.4 GPM (54.5 LPM) and a wide range of material and porting configurations.

**UPGRADE**  
PUMP FOR REMOTE  
ACTUATION CAPABILITY

Ratio:	1:1		
Maximum Flow:	14.4 g.p.m. (54.5 l.p.m.)		
Displacement per cycle:	0.039 Gallons (0.15 Liters)		
Air Inlet: (Female)	1/4 - 18 P.T.F. SAE Short		
Fluid Inlet/Outlet:	1/2 - 14 N.P.T.F. - 1 Rp 1/2 (1/2 -14 BSP, parallel)		
Max. operating pressure:	100 psi (6.9 bar)		
Suspended solids max. dia.:	3/32" (2.4 mm)		
Weight: lbs (kg)	PD05P-XDS-XXX-B	6.3 (2.9)	
	PD05P-XES-XXX-B	6.7 (3.0)	
	PD05P-XKS-XXX-B	6.8 (3.1)	
	PD05P-XLS-XXX-B	7.2 (3.3)	
	PD05P-XPS-XXX-B	5.2 (2.4)	
	PD05P-XRS-XXX-B	5.4 (2.5)	
Maximum dry suction lift: ft (m)	15.0 (4.5)		
Sound Level:	70 PSI	60 Cycles/Min	75.0 db(A)
Muffler:	Integral, Included		



PD05P-BRS-PAA

### Ordering

Position	1	2		3	4	5		6	7	8		9	10	11
Example:	PX05	P	-	X	X	S	-	X	X	X	-	B	X	X

Position 1 Model Series	Position 2 Center Section	Position 3 Connections	Position 4 Manifold Material	Position 5 Hardware	Position 6 Seat Material	Position 7 Ball Material	Position 8 Diaphragm Material	Position 9
D - Standard E - Remote Actuation Capable	P - Polypropylene	A - 1/2 - 14 N.P.T.F. - 1 B - Rp 1/2 (1/2 -14 BSP, parallel)	D - Ground. Acetal (single port)* E - Ground. Acetal (multiple port)* K - PVDF (single port) L - PVDF (multiple port) P - Polypropylene (single port) R - Polypropylene (multiple port)	S - Stainless Steel	D - Acetal K - PVDF P - Polypropylene S - Stainless Steel	A - Santoprene® C - Hytrel® * G - Nitrile S - Stainless Steel T - PTFE U - Polyurethane V - Viton®	A - Santoprene® C - Hytrel® * G - Nitrile L - Long-Life PTFE T - PTFE/ Santoprene® U - Polyurethane V - Viton®	Revision Level <b>Position 10 &amp; 11 Specialty Code</b> Fluid control options for pump with electronic interface (PE05 model). See complete description on page 15

\* Acceptable for use in hazardous locations. - NEC / CEC: Class I&II, Div 1&2, Group A-D  
- ATEX: Zone 1&2, 21&22

Hytrel® and Viton® are registered trademarks of the DuPont company. Santoprene® is a registered trademark of Monsanto Company, licensed to Advanced Elastomer Systems, L.P.

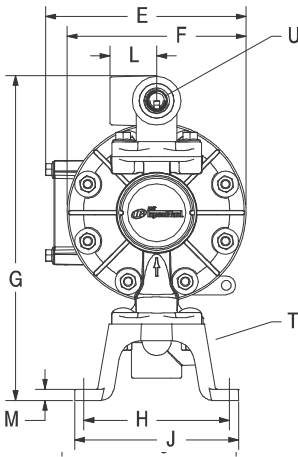
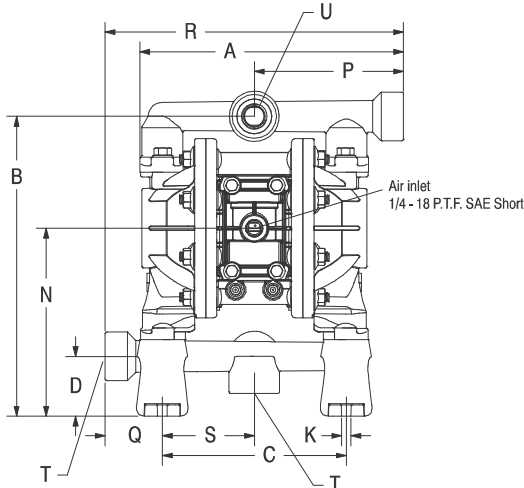
### Accessories

- Air Line Connection Kit | 66073-1**  
(Piggyback Filter/Regulator with gauge, pipe nipple and 5-foot air hose)
- Cycle Counter Kit | 66975**
- Wall Mount Bracket Kit | 76763**
- Optional Muffler | 93110** used with 637438 kit
- Service Repair Kits | 637428** (air section)  
637427-XX (fluid section)



Air Line Connection Kit  
66073-1

# 1/2" Non-Metallic Dimensions and Flow Charts



### DIMENSIONS

A 8-27/32" (224.3 mm)	G 10-7/8" (275.7 mm)	N 6-5/16" (159.9 mm)
B 10-1/16" (255.0 mm)	H 4-7/8" (123.8 mm)	P 5" (127.0 mm)
C 6.164" (156.6 mm)	J 5-1/2" (139.7 mm)	Q 1-59/64" (48.8 mm)
D 2" (50.8 mm)	K 5/16" (8.0 mm)	R 10" (254.0 mm)
E 6-23/32" (170.6 mm)	L 1-9/16" (39.7 mm)	S 3-3/32" (78.3 mm)
F 6" (152.4 mm)	M 3/8" (9.5 mm)	

Model  
PD05P-AXS-XXX-B  
PD05P-BXS-XXX-B

"T" Material Inlet  
1/2 - 14 N.P.T.F. - 1  
Rp 1/2 (1/2 - 14 BSP)

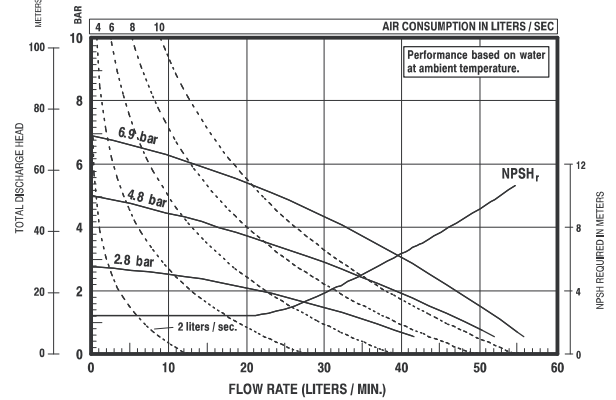
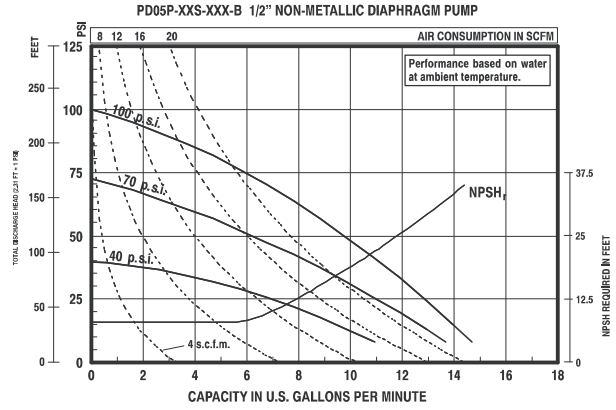
"U" Material Outlet  
1/2 - 14 N.P.T.F. - 1  
Rp 1/2 (1/2 - 14 BSP)



PE05P-APS-PAA-BOS  
with 637440-1 Kit

Dual Inlet/Outlet Kits:  
637440-1 (N.P.T. Poly)  
637440-4 (BSP Poly)  
637440-2 (N.P.T. Acetal)  
637440-5 (BSP Acetal)  
637440-3 (N.P.T. PVDF)  
637440-6 (BSP PVDF)

### PERFORMANCE CURVES



Refer to [www.AROzone.com](http://www.AROzone.com) for full size flow curves.  
For additional information contact  
technical support at 1.800.495.0276

### Ordering Position 10

#### Specialty Code 1 (Blank if no Specialty Code)

- A - Solenoid 120VAC
- B - Solenoid 12VDC
- C - Solenoid 240VAC
- D - Solenoid 24VDC
- E - 12VDC NEC/CEC\*
- F - 24VDC NEC/CEC\*

- G - Solenoid 12VDC ATEX/IECex\*
- H - Solenoid 24VDC ATEX/IECex\*
- J - 120VAC NEC/CEC\*
- K - Solenoid 220VAC ATEX/IECex\*
- N - Solenoid with no coil
- O - Standard Valve Block (No Solenoid)
- P - Ported Motor (No major valve provided)

### Ordering Position 11

#### Specialty Code 2 (Blank if no Specialty Code)

- E - End of stroke feedback + Leak Detection
- F - End of stroke feedback
- G - End of Stroke ATEX/IECex\*
- H - End of Stroke/Leak Detection ATEX/IECex\*

- L - Leak Detection
- M - Leak Detection ATEX/IECex/NEC/CEC\*
- O - No Option
- R - End of Stroke Feedback NEC / CEC\*
- T - End of Stroke Feedback + Leak Detection NEC / CEC\*

\* Acceptable for use in hazardous locations. - NEC / CEC: Class I&II, Div 1&2, Group A-D  
- ATEX: Zone 1&2, 21&22