

# 1-1/2" Metallic Models

## EXP SERIES PUMPS

ARO® 1-1/2" metallic diaphragm pumps achieve flow rates of up to 123.1 GPM (465.9 LPM) and offer a wide array of material and porting configurations. These pumps are often used for transfer, filling, recirculation and batching in paint, oil and gas, chemical and petrochemical markets.

**UPGRADE**  
PUMP FOR REMOTE  
ACTUATION CAPABILITY

Ratio:	1:1
Maximum GPM (LPM):	123 (465)
Displacement per cycle Gallons (Liters):	0.617 (2.34)
Air Inlet (Female):	1/2 - 14 N.P.T.
Fluid Inlet/Outlet:	1-1/2" - 11-1/2 N.P.T.F.-1, Rp1-1/2(1-1/2-11BSP) 1-1/2" A.N.S.I./DIN flange
Max. operating pressure psi (bar):	120 (8.3)
Suspended solids max. dia. in.(mm):	1/4" (6.4)
Weight lbs (kg):	PX15R-XAX-XXX 37.7 (17.1) PX15R-XCX-XXX 73.2 (33.2) PX15R-XSX-XXX 61.2 (27.8) PX15R-XHX-XXX 86.9 (39.4)
	Note: add 2.14 lbs (0.97 kg) for aluminum air motor section add 18.14 lbs (8.23 kg) for stainless steel air motor section
Maximum dry suction lift ft(m):	14 (4.2)
Sound Level:	70 PSI 50 Cycles/Min 81.0 db(A)
Muffler Included:	350-568



### Ordering

Position	1	2		3	4	5		6	7	8		9	10	11
Example:	PX15	X	-	X	X	X	-	X	X	X	-	A	X	X

Position 1 Model Series	Position 2 Center Section	Position 3 Connections	Position 4 Wetted Parts	Position 5 Hardware	Position 6 Seat Material	Position 7 Ball Material	Position 8 Diaphragm Material	Position 9
PD15 - Standard Pump PE15 - Electronic Interface Accessible Pump	A - Aluminum* R - Polypropylene S - Stainless Steel*	A - NPTF Thread B - BSP Thread Y <sup>†</sup> - 1-1/2" A.N.S.I./DIN Flange (Center)  † Stainless Steel Only	A - Aluminum* C - Cast Iron H - Hastelloy-C* S - Stainless Steel*	P - Plated Steel S - Stainless Steel	A - Santoprene® C - Hytrel® E - Carbon Steel F - Aluminum G - Nitrile H - 440 Stainless Steel L - Hastelloy-C S - 316 Stainless Steel	A - Santoprene® C - Hytrel® G - Nitrile S - 316 SS T - PTFE V - Viton®	A - Santoprene® C - Hytrel® G - Buna-N L - Long-Life PTFE M - Medical Grade Santoprene® T - PTFE/Santoprene® V - Viton®	Revision Level  <b>Position 10 &amp; 11 Specialty Code</b>  Fluid control options for pump with electronic interface (PE05 model). See complete description on page 37

\* Acceptable for use in hazardous locations. - NEC / CEC: Class I&II, Div 1&2, Group A-D  
- ATEX: Zone 1&2, 21&22

Hytrel® and Viton® are registered trademarks of the DuPont company. Santoprene® is a registered trademark of Monsanto Company, licensed to Advanced Elastomer Systems, L.P.

### Accessories

**Air Line Connection Kit** | 66084-1

(Piggyback Filter/Regulator with gauge, pipe nipple and 5-foot air hose)

**Diaphragm Failure Detection** | 67237

**Cycle Counter Kit** | 67350

**Service Repair Kits** | 637389 (air motor for PX15X), 637375-XXX (fluid section with seats), 637390-X (major air valve assembly)

## 1-1/2" Metallic Dimensions and Flow Charts

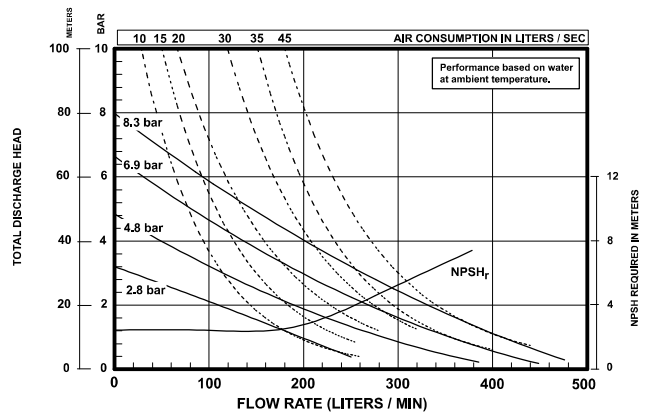
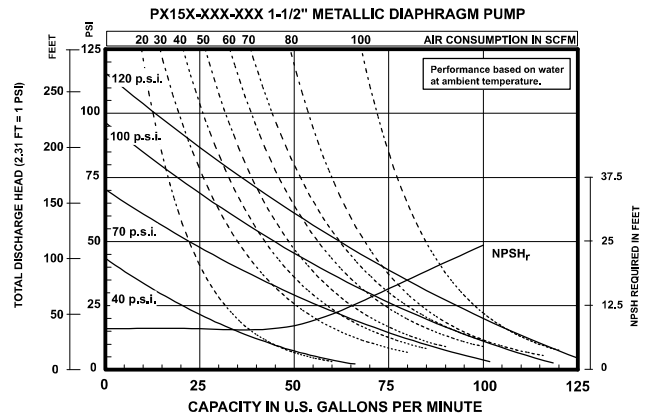
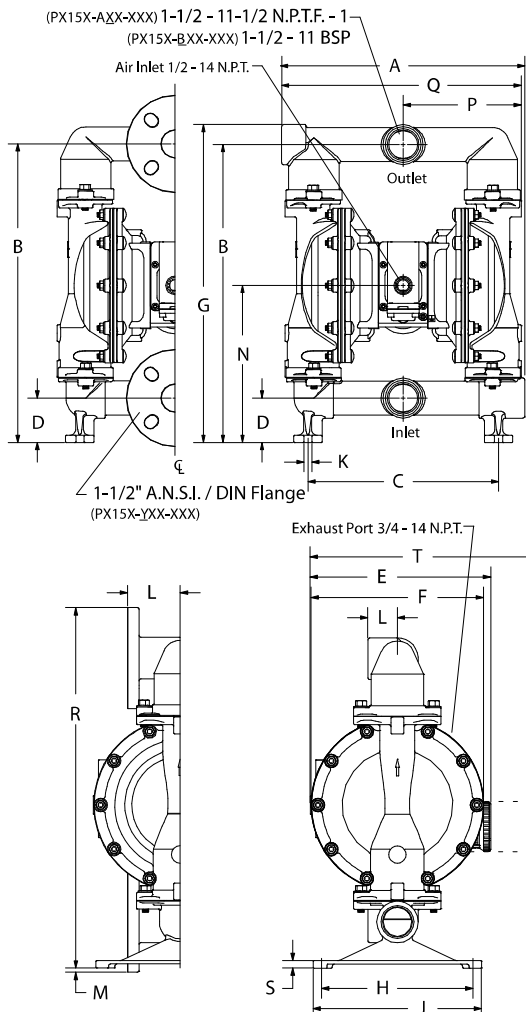
A - see below	G - 19-5/8" (498.1 mm)	N - 9-11/16" (246.0 mm)
B - 18-3/8" (466.7 mm)	H - 9" (228.6 mm)	P - see below
C - 11-3/4" (298.5 mm)	J - 10" (254.0 mm)	Q - see below
D - 2-3/4" (69.9 mm)	K - 1/2" (12.7 mm)	R - 21-7/16" (543.9 mm)
E - see below	L - see below	S - see below
F - 10-1/4" (260.4 mm)	M - 1/4" (6.4 mm)	T - see below

	"A"	"L"
PX15X-XAX-XXX	14-7/8" (377.8 mm)	1-3/4" (44.5 mm)
PX15X-XCX-XXX	14-5/8" (371.5 mm)	1-3/4" (44.5 mm)
PX15X-XHX-XXX	14-9/16" (370.0 mm)	3-1/8" (79.4 mm)
PX15X-ASX-XXX, -BSX	14-25/32" (375.5 mm)	1-3/4" (44.5 mm)
PX15X-YSX-XXX	14-9/16" (370.0 mm)	3-1/8" (79.4 mm)

	"E"	"T"
PX15A-XXX-XXX	-----	14-1/32" (356.2 mm)
PX15R-XXX-XXX	11-3/32" (281.3 mm)	-----
PX15S-XXX-XXX	-----	13-27/32" (351.4 mm)

"P"	"Q"	"S"
7-7/32" (183.4 mm)	14-23/32" (373.9 mm)	1/2" (12.7 mm)
7-3/16" (182.6 mm)	14-1/2" (368.3 mm)	1/4" (6.4 mm)
7-3/16" (182.6 mm)	14-1/2" (368.3 mm)	1/4" (6.4 mm)
7-9/32" (185.0 mm)	14-13/16" (375.5 mm)	15/32" (11.4 mm)
7-9/32" (185.0 mm)	14-9/16" (370.0 mm)	15/32" (11.4 mm)

	"E"	"T"
PX15A-XXX-XXX	-----	14-1/32" (356.2 mm)
PX15R-XXX-XXX	11-3/32" (281.3 mm)	-----
PX15S-XXX-XXX	-----	13-27/32" (351.4 mm)



### Ordering Position 10

#### Specialty Code 1 (Blank if no Specialty Code)

A - Solenoid 120VAC	G - Solenoid 12VDC ATEX/IECex*
B - Solenoid 12VDC	H - Solenoid 24VDC ATEX/IECex*
C - Solenoid 240VAC	J - 120VAC NEC/CEC*
D - Solenoid 24VDC	K - Solenoid 220VAC ATEX/IECex*
E - 12VDC NEC/CEC*	N - Solenoid with no coil
F - 24VDC NEC/CEC*	O - Standard Valve Block (No Solenoid)
	P - Ported Motor (No major valve provided)

### Ordering Position 11

#### Specialty Code 2 (Blank if no Specialty Code)

E - End of stroke feedback + Leak Detection	L - Leak Detection
F - End of stroke feedback	M - Leak Detection ATEX/IECex/NEC/CEC*
G - End of Stroke ATEX/IECex*	O - No Option
H - End of Stroke/Leak Detection ATEX/IECex*	R - End of Stroke Feedback NEC / CEC*
	T - End of Stroke Feedback + Leak Detection NEC / CEC*

\* Acceptable for use in hazardous locations. - NEC / CEC: Class I&II, Div 1&2, Group A-D  
- ATEX: Zone 1&2, 21&22