

# 1" Metallic Models

## EXP SERIES PUMPS

ARO® EXP 1" metallic diaphragm pumps achieve flow rates of up to 52.2 GPM (197.6 LPM) and offer a wide array of material and porting configurations. These pumps are often used for transfer, filling, recirculation and batching in ceramic, industrial, chemical and petrochemical markets.

**UPGRADE**  
PUMP FOR REMOTE  
ACTUATION CAPABILITY

Ratio:	1:1
Maximum GPM (LPM):	52 (197)
Displacement per cycle Gallons (Liters):	0.232 (0.88)
Air Inlet (Female):	1/4 - 18 N.P.T.
Fluid Inlet/Outlet:	1 - 11-1/2 N.P.T.F.-1, Rp1(1-11 BSP)
Max. operating pressure psi (bar):	120 (8.3)
Suspended solids max. dia. in. (mm):	1/8" (3.3)
Weight lbs (kg):	
PX10R-XAX-XXX	20.7 (9.4)
PX10R-XCX-XXX	35.2 (16.0)
PX10R-XHX-XXX	39.6 (18.0)
PX10R-XSX-XXX	38.2 (17.3)
Note: Add 4.65 lbs (2.11 kg) for aluminum air motor	
Add 11.09 lbs (5.03 kg) for stainless steel air motor	
Maximum dry suction lift ft(m):	19 (5.7)
Sound Level:	70 PSI    60 Cycles/Min    80.6 db(A)
Muffler Included:	93110



### Ordering

Position	1	2	3	4	5	6	7	8	9	10	11			
Example:	PX10	X	-	X	X	X	-	X	X	X	-	A	X	X

Position 1 Model Series	Position 2 Center Section	Position 3 Connections	Position 4 Wetted Parts	Position 5 Hardware	Position 6 Seat Material	Position 7 Ball Material	Position 8 Diaphragm Material	Position 9
PD10- Standard Pump PE10 - Electronic Interface Accessible Pump	A - Aluminum* R - Poly-propylene S - Stainless Steel*	A - NPTF Thread B - BSP Thread	A - Aluminum* C - Cast Iron H - Hastelloy-C* S - Stainless Steel*	P - Plated Steel S - SS	A - Santoprene® C - Hytrel® E - Carbon Steel F - Aluminum G - Nitrile H - 440 SS L - Hastelloy-C S - 316 SS	A - Santoprene® C - Hytrel® G - Nitrile S - 316 SS T - PTFE V - Viton®	A - Santoprene® C - Hytrel® G - Buna- N L - Long-Life PTFE M - Medical Grade Santoprene® T - PTFE/Santoprene® V - Viton®	Revision Level <b>Position 10 &amp; 11 Specialty Code</b> Fluid control options for pump with electronic interface (PE05 model). See complete description on page 35

\* Acceptable for use in hazardous locations. - NEC / CEC: Class I&II, Div 1&2, Group A-D  
- ATEX: Zone 1&2, 21&22

Hytrel® and Viton® are registered trademarks of the DuPont company. Santoprene® is a registered trademark of Monsanto Company, licensed to Advanced Elastomer Systems, L.P.

### Accessories

- Air Line Connection Kit | 66073-2  
(Piggyback Filter/Regulator with gauge, pipe nipple and 5-foot air hose)
- Diaphragm Failure Detection | 67237
- Cycle Counter Kit | 66350
- Cycle Sensor Kit | 67350 (PE10X pump model is required)
- Service Repair Kits | 637397 (air motor for PX10A, PX10R and PX10S),  
637401-XXX (fluid section with seats)  
637395-X (major air valve assembly)

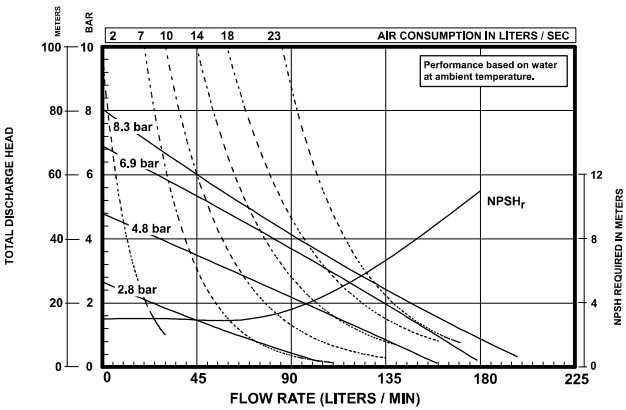
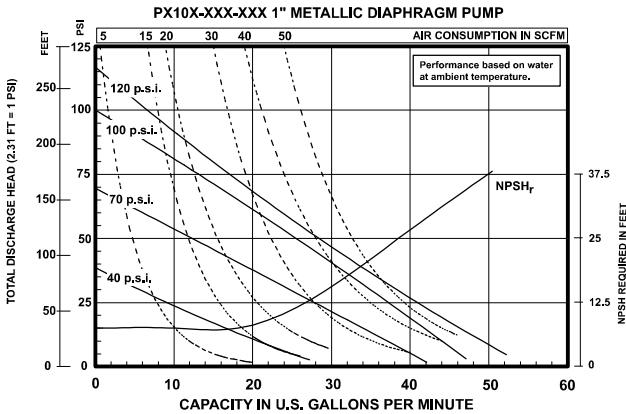
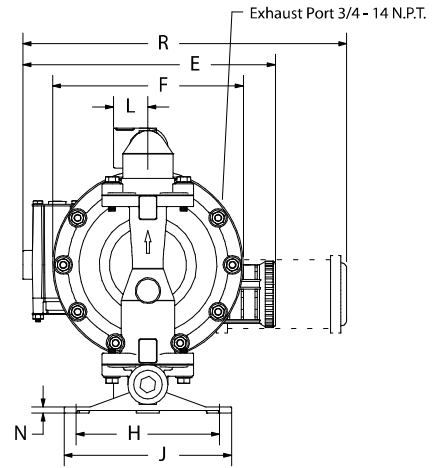
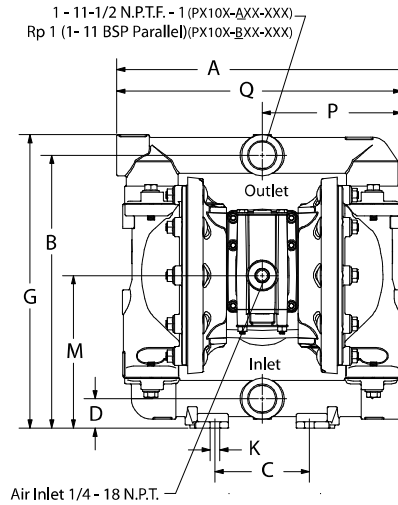
# 1" Metallic Dimensions and Flow Charts

## DIMENSIONS

- |                          |                         |                         |
|--------------------------|-------------------------|-------------------------|
| A - 12-11/32" (313.2 mm) | G - 12-7/16" (315.9 mm) | N - see below           |
| B - 11-9/16" (293.7 mm)  | H - 6-1/4" (158.8 mm)   | P - 5-27/32" (148.2 mm) |
| C - 4" (101.6 mm)        | J - 7-5/16" (185.7 mm)  | Q - 12" (304.8 mm)      |
| D - 1-1/4" (31.8 mm)     | K - 13/32" (10.3 mm)    | R - see below           |
| E - see below            | L - 1-1/2" (38.1 mm)    |                         |
| F - see below            | M - 6-15/32" (164.3 mm) |                         |

PX10A-XXX-XXX	"E" -----	"F" 8-1/8" (206.4 mm)	"R" 14-1/32" (356.2 mm)
PX10B-XXX-XXX	11-1/32" (279.5 mm)	8-5/16" (211.1 mm)	-----
PX10S-XXX-XXX	-----	8-3/16" (207.9 mm)	13-27/32" (351.4 mm)

	"N"
PX10X-XAX-XXX	1/4" (6.4 mm)
PX10X-XCX-XXX	9/32" (7.1 mm)
PX10X-XHX-XXX	9/32" (7.1 mm)
PX10X-XSX-XXX	9/32" (7.1 mm)



Refer to [www.AROzone.com](http://www.AROzone.com) for full size flow curves.  
For additional information contact technical support at 1.800.495.0276

### Ordering Position 10 Specialty Code 1 (Blank if no Specialty Code)

- |                     |  |
|---------------------|--|
| A - Solenoid 120VAC | G - Solenoid 12VDC ATEX/IECex*             |
| B - Solenoid 12VDC  | H - Solenoid 24VDC ATEX/IECex*             |
| C - Solenoid 240VAC | J - 120VAC NEC/CEC*                        |
| D - Solenoid 24VDC  | K - Solenoid 220VAC ATEX/IECex*            |
| E - 12vDC NEC/CEC*  | N - Solenoid with no coil                  |
| F - 24vDC NEC/CEC*  | O - Standard Valve Block (No Solenoid)     |
|                     | P - Ported Motor (No major valve provided) |

### Ordering Position 11 Specialty Code 2 (Blank if no Specialty Code)

- |  |  |
|--|--|
| E - End of stroke feedback + Leak Detection  | L - Leak Detection                                     |
| F - End of stroke feedback                   | M - Leak Detection ATEX/IECex/NEC/CEC*                 |
| G - End of Stroke ATEX/IECex*                | O - No Option  |
| H - End of Stroke/Leak Detection ATEX/IECex* | R - End of Stroke Feedback NEC / CEC*                  |
|  | T - End of Stroke Feedback + Leak Detection NEC / CEC* |

\* Acceptable for use in hazardous locations. - NEC / CEC: Class I&II, Div 1&2, Group A-D  
- ATEX: Zone 1&2, 21&22