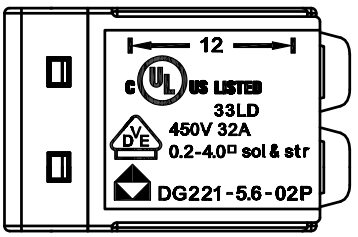
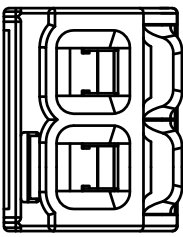
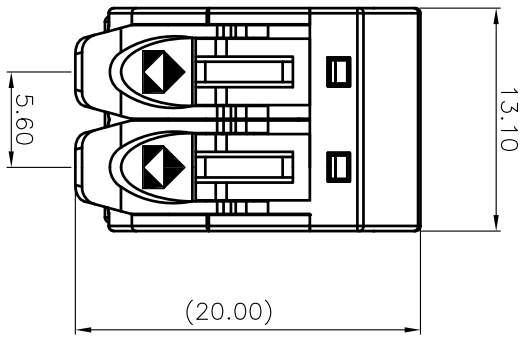
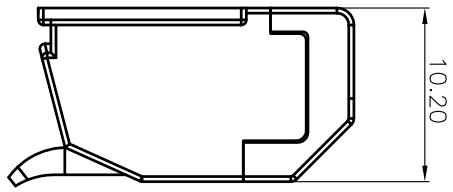


REVISION RECORD			
REV	ECN	DESCRIPTION	DRFT DATE

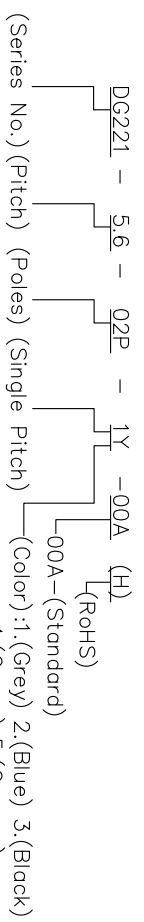


- NOTES1:
 UL Standard
 1. Rated voltage : 600V
 2. Wire range : 24~12AWG
- IEC Standard
 1. Rated voltage/current : 450V / 32A
 2. Wire range : 0.2~4.0mm²

- NOTES2:
 1. Dimension shall be interpreted per ASME Y14.5-2009
 2. Pitch : 5.6mm, Poles : 02P
 3. Stripping length : 12mm
 4. Withstanding voltage : AC2500V/1Min
 5. Operating temperature : -40°C~+85°C
 6. Undimensioned tolerances:

Pitch range in mm	Nominal dimension range		mm
	Over	Under	
6	TO	TO	0.1/10
10	TO	TO	≤
24	±0.15	±0.20	±2°
30	±0.30	±0.50	
60	±0.70	±1.00	
100	±1.30		
150			

7. RoHS Compliance
 8. Mark "DG221-5.6-02P" : 600V Cu
 24-12AWG sol&str



DETACHED LISTS	
PART NO.:	/
APPD:	/
CHKD:	/
DRFT:	/
THIRD ANGLE PROJECTION	
NAME:	DEGSON NINGBO DEGSON ELECTRICAL CO., LTD 宁波高松电子有限公司
TITLE:	CUSTOMER DRAWING
DRAWING NO.:	DG221-5.6-02P-1Y-00A(H)
REV	DO
SHEET	1/1
SCALE	1:1

A 8 7 6 5 4 3 2 1