

SES-QUICK SL MDE cable tie
sensitive to metal detectors
metal blue



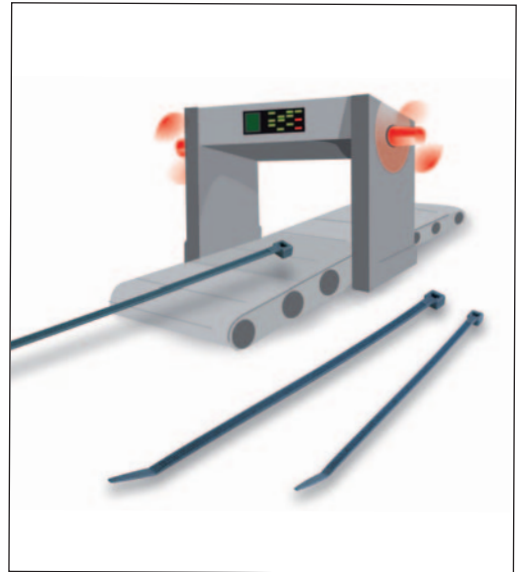
SES-QUICK



SES-QUICK MDE

	SL MDE	SL MDE PP
Material:	PA 6.6 with metal particles metal blue	PP with metal particles metal blue
Colour:	metal blue	metal blue
Operating temperatures:	-40 to +85°C +150°C short time	-20 to +70°C +110°C short time
Melting point:	260°C	168°C
Water absorption:	2-2,5 %	< 0.1%
Chemical resistance:	-	good resistance to acids, alkalis and detergents
Flame resistance:	V2 UL94	-
Specifications :	halogen free adapted to the success of a HACCP* processes.	

Application: The presence of metal particles in the cable tie allows easy detection thanks to any metal detector. These cable ties are thus used in electrical equipment boxes or chains of production in food and pharmaceutical industries to limit the risks of product contamination.



* HACCP : Hazard Analysis Critical Control Point

● **SL MDE**

type	article number	dimensions length x width (mm)	maximum bundle Ø (mm)	tensile strength daN		
100/25 SL MDE-C	0186 1001 093	100 x 2,5	20	8	100	
145/34 SL MDE-C	0186 1004 093	145 x 3,4	35	13	100	
185/46 SL MDE-C	0186 1009 093	185 x 4,6	47	22	100	
200/26 SL MDE-C	0186 1003 093	200 x 2,6	50	8	100	
380/47 SL MDE-C	0186 1013 093	380 x 4,7	109	22	100	
365/76 SL MDE-C	0186 1017 093	365 x 7,6	100	53	100	

● **SL MDE PP**

type	article number	dimensions length x width (mm)	maximum bundel Ø (mm)	tensile strength daN		
145/34 SL MDE PP-C	0186 1104 093	145 x 3,4	35	8	100	
185/46 SL MDE PP-C	0186 1109 093	185 x 4,6	47	13	100	
380/47 SL MDE PP-C	0186 1113 093	380 x 4,7	109	13	100	



(Other dimensions on special request, please consult us.)

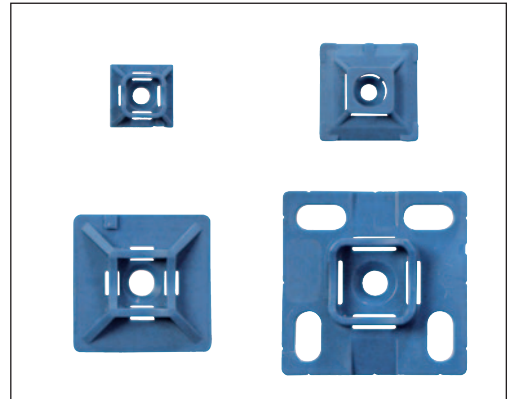
Bag available with a European suspension hole.

Fixings and bases MDE

New

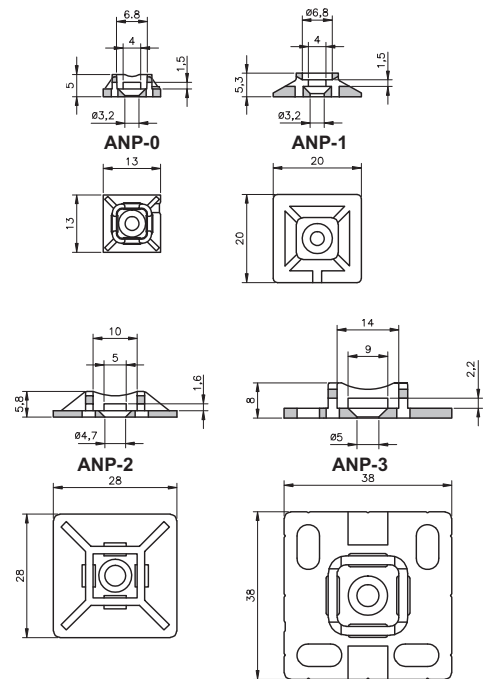
Material: PA 6.6 with metal particles
Colour: metal blue
Operating temperatures: -40 to +85°C
 +150°C short time
Melting point: 260°C
Flame resistance: V2 UL94 -
Specifications : halogen free
 adapted to the success of a HACCP* processes.

Application: The presence of metal particles in the accessories allows easy detection thanks to any metal detector. These accessories are thus used in electrical equipment boxes or chains of production in food and pharmaceutical industries to limit the risks of product contamination.

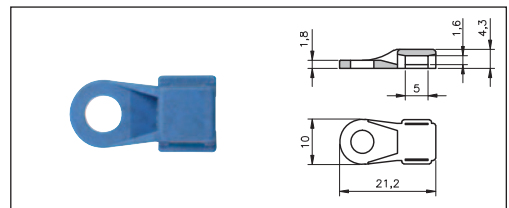


* HACCP : Hazard Analysis Critical Control Point

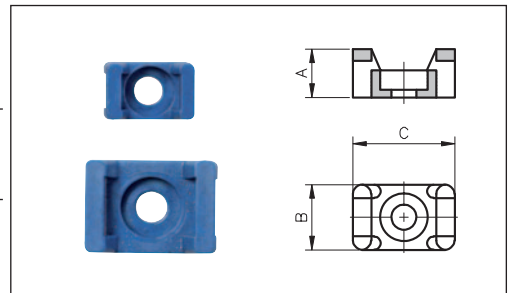
type	artide number	for cable ties maxi width mm	fixing with screw Ø mm	
ANP-0-C MDE	0186 0916 093	3,6	3	100
ANP-1-C MDE	0186 0914 093	3,6	3	100
ANP-2-C MDE	0186 0915 093	4,8	4,5	100
ANP-3-C MDE	0186 0917 093	7,6	4,5	100



type	artide number	for cable ties maxi width mm	fixing with screw Ø mm	
MB-123-C MDE	0186 0922 093	4,8	5	100
MB-123.35-C MDE	0186 0924 093	4,8	3	100



type	artide number	dimensions (mm)			for cable ties maxi width mm	fixing with screw Ø mm	
		A	B	C			
TM-2S6-C MDE	0186 0925 093	6,9	9,5	14,9	4,7	3,5	100
TM-2S8-C MDE	0186 0926 093	6,9	9,5	14,9	4,7	4,3	100
TM-3S8-C MDE	0186 0930 093	9,7	15,9	22,2	9	4	100
TM-3S10-C MDE	0186 0530 093	9,7	15,9	22,2	9	4,5	100



A5/1-03



C12/3-01



B7/3-07

