

Insert conduit - mounting is complete

The extremely quick and easy one hand assembly and dismantling is very economical. Insert PLIOWELL corrugated flexible conduit into the gland for connection.

In order to disconnect a special opener has to be put on the conduit, inserted into the gland until the stops of the corrugated conduit deepening are pushed outside. Then pull off the conduit.

These steps can be done with only one hand.

Advantages:

- Quick and easy one-hand assembly/dismantling - also in difficult to reach positions,
- The small glands body allows close bunched mounting,
- Front side dismantling,
- High security,
- Vibration cannot disconnect the glands,
- The conduit can only be disconnected with the special opener,
- Humidity protection and splash guard,
- Conduit rotating at the threaded joint. No torsion at the conduit,
- Ecologically priced - halogene free polyamide - glands can be 100% recycled,

Fields of application:

- Mechanical engineering
- Industrial facilities
- Robotics - Handling
- Car
- Shipbuilding



Conduit glands and accessories for PLIOWELL conduits

- A7/6-02 Straight PLIOQUICK conduit glands



- A7/6-02 90° PLIOQUICK conduit gland



- A7/6-03 45° PLIOQUICK elbow gland



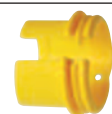
- A7/6-03 90° flanged PLIOQUICK elbow gland



- A7/6-04 Seal for PLIOQUICK gland



- A7/6-04 Opener PLIOQUICK



PLIOQUICK

Material: Polyamide 6
Colour: black
Operating temperatures: -40 to +110°C
Protection rating: IP65
Flame resistance: V0 UL94

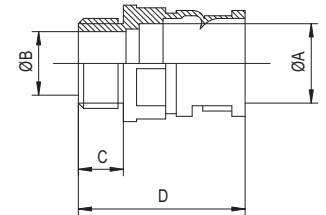
Specifications: halogen free, without phosphorus. Good resistance to alcohol, fats, oils, kerosene, gasoline.

Supplied with opener.



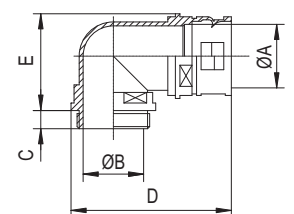
• **Straight glands** supplied **without** lock-nut

type	article number	nominal-Ø mm	thread PG	dimensions (mm)				D	50
				Ø A	Ø B	C	D		
PLIOQUICK 7,5	0631 0001 010	10	PG 7	10	8	7	24	50	
PLIOQUICK 7,5/9	0631 0010 010	10	PG 9	10	8	8	26	50	
PLIOQUICK 10	0631 0002 010	13	PG 9	13	10,5	8	28	50	
PLIOQUICK 12	0631 0003 010	16	PG 11	15,7	13	8	30	50	
PLIOQUICK 12/16	0631 0004 010	16	PG 16	15,7	13	10	31	50	
PLIOQUICK 17	0631 0005 010	21	PG 16	21,2	16,5	10	36	50	
PLIOQUICK 23	0631 0006 010	28	PG 21	28,5	23	12	40	50	
PLIOQUICK 29	0631 0007 010	34	PG 29	34,5	28	12	43	25	
PLIOQUICK 37	0631 0008 010	42	PG 36	42,1	38	16	53,5	25	
PLIOQUICK 50	0631 0009 010	54	PG 48	54,4	50	16	55	10	



• **90° elbow glands** supplied **without** lock-nut

type	article number	nominal-Ø mm	thread PG	dimensions (mm)					E	50
				Ø A	Ø B	C	D	E		
PLIOQUICK 10 90°	0631 0102 010	13	PG 9	13	10,9	8	44	26,8	50	
PLIOQUICK 12 90°	0631 0103 010	16	PG 11	15,7	13	8	49,6	29,9	50	
PLIOQUICK 17/13,5 90°	0631 0104 010	21	PG 13,5	21,2	15	10	58,4	35,4	50	
PLIOQUICK 17 90°	0631 0105 010	21	PG 16	21,2	16,5	10	58,4	35,4	50	
PLIOQUICK 23 90°	0631 0106 010	28	PG 21	28,5	23	12	76,8	44,6	50	
PLIOQUICK 29 90°	0631 0107 010	34	PG 29	34,5	27	11,2	87,6	52	25	
PLIOQUICK 37 90°	0631 0108 010	42	PG 36	42,1	39	15,5	102,6	67	25	
PLIOQUICK 50 90°	0631 0109 010	54	PG 48	54,4	48,5	15,5	125	82	10	



A7/4 - PLIOWELL conduits



A8/2 - Lock nuts



PLIOQUICK

Material: Polyamide 6
Colour: black
Operating temperatures: -40 to +110°C
Protection rating: IP65
Flame resistance: V0 UL94

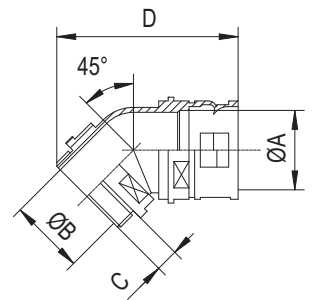
Specifications: halogen free, without phosphorus. Good resistance to alcohol, fats, oils, kerosene, gasoline.

Supplied with opener.



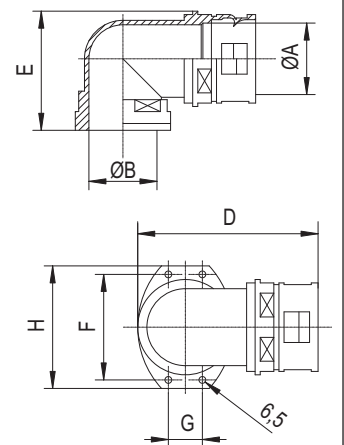
• **45° elbows** supplied without lock nut

type	article number	nominal Ø mm	thread PG	dimensions (mm)				package
				Ø A	Ø B	C	D	
PLIOQUICK 23 45°	0631 0206 010	28	21	28,5	22,5	12	64	50
PLIOQUICK 29 45°	0631 0207 010	34	29	34,5	27	11,5	75	25
PLIOQUICK 37 45°	0631 0208 010	42	36	42,1	39	15,5	87	25
PLIOQUICK 50 45°	0631 0209 010	54	48	54,4	48	16	95,5	10



• **90° flanged elbow**

type	article number	nominal Ø mm	dimensions (mm)							package
			Ø A	Ø B	D	E	F	G	H	
PLIOQUICK 23 90° WF	0631 0306 010	28	28,5	22,8	76,8	49,5	53	-	63	50
PLIOQUICK 29 90° WF	0631 0307 010	34	34,5	27	92,5	58,4	54	36,5	66,5	25
PLIOQUICK 37 90° WF	0631 0308 010	42	42,1	38,3	102,6	72,5	73	30	86	25
PLIOQUICK 50 90° WF	0631 0309 010	54	54,4	47,7	125	125	73	30	85,5	10



A7/4 - PLIOWELL conduit



A8/2 - Lock nuts




Seal for PLIOQUICK gland

Material: polyurethane PUR
Colour: black
Operating temperatures: -40 to +130°C
Protection rating: IP66 with PLIOQUICK gland

Specifications: external seal for general engineering, packaging machines, handling equipment resistant to many chemicals, oils and solvents.

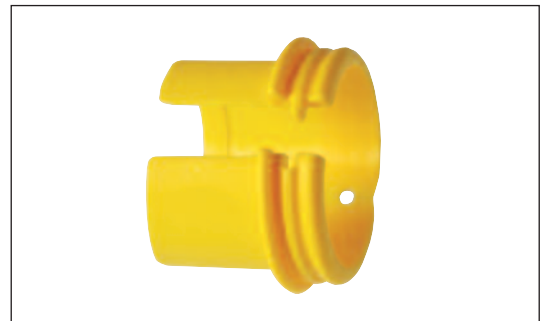



type	artide number	nominal Ø mm	
PLIOQUICK AD-7,5	0631 0701 010	10	50
PLIOQUICK AD-10	0631 0702 010	13	50
PLIOQUICK AD-12	0631 0703 010	16	50
PLIOQUICK AD-23	0631 0705 010	28	50
PLIOQUICK AD-29	0631 0706 010	34	25
PLIOQUICK AD-37	0631 0707 010	42	25
PLIOQUICK AD-50	0631 0708 010	54	10



Opener PLIOQUICK

Material: polyamide 6
Colour: yellow



type	artide number	nominal Ø mm	
PLIOQUICK OEF 10 YE	0631 0402 004	13	10
PLIOQUICK OEF 12 YE	0631 0403 004	16	10
PLIOQUICK OEF 17 YE	0631 0404 004	21	10
PLIOQUICK OEF 23 YE	0631 0405 004	28	5
PLIOQUICK OEF 29 YE	0631 0406 004	34	5
PLIOQUICK OEF 37 YE	0631 0407 004	42	5
PLIOQUICK OEF 50 YE	0631 0408 004	52	5



A7/4 - PLIOWELL conduits

